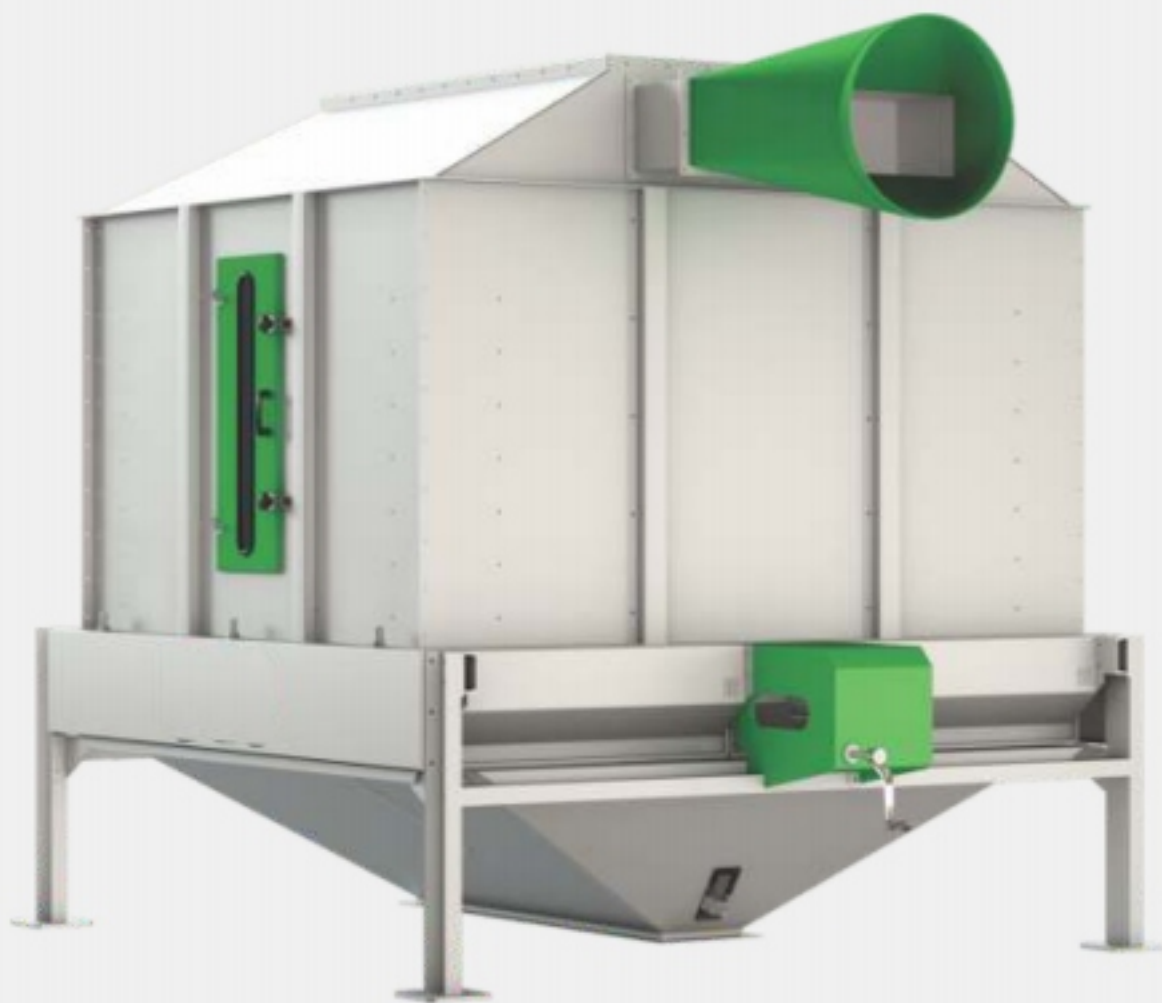
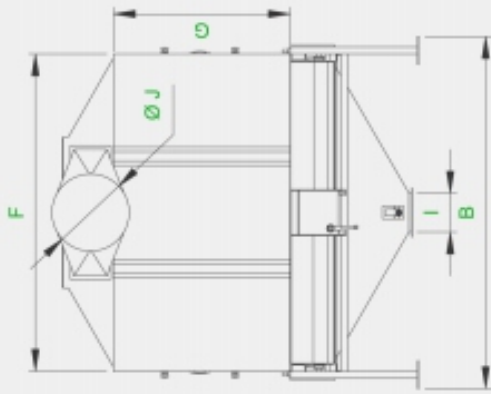




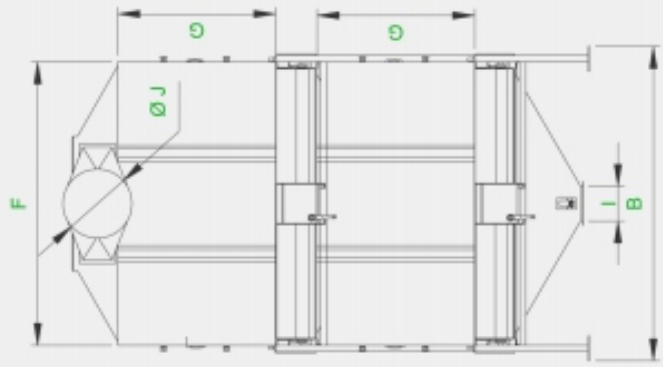
# KOELENHEID



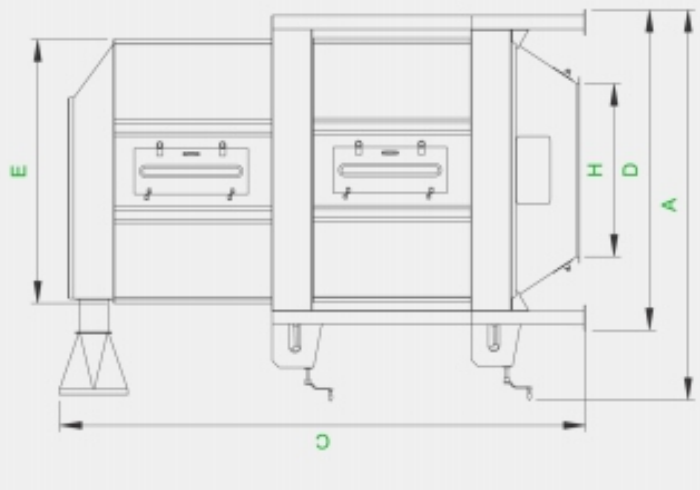
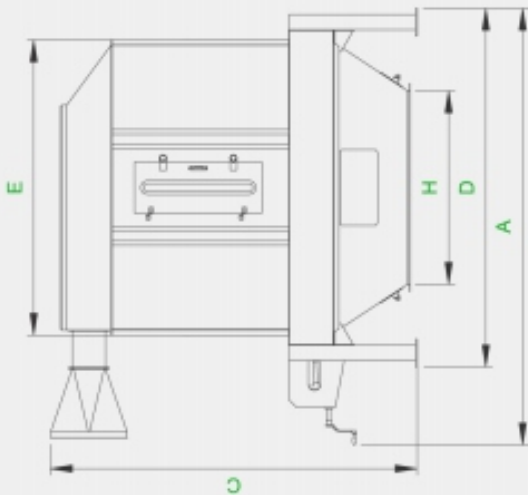
VPC-S 140x140 - Koelcap.: 2,25 m<sup>3</sup>  
VPC-D 140x140 - Koelcap.: 4,5 m<sup>3</sup>  
VPC-S 190x190 - Koelcap.: 5 m<sup>3</sup>  
VPC-D 190x190 - Koelcap.: 10 m<sup>3</sup>  
VPC-S 225x243 - Koelcap.: 7,5 m<sup>3</sup>  
VPC-D 225x243 - Koelcap.: 15 m<sup>3</sup>



VPC-D



VPC-S



### Afmetingen (mm)

| Model         | A    | B    | C    | D    | E    | F    | G    | H    | I   | ØJ  |
|---------------|------|------|------|------|------|------|------|------|-----|-----|
| VPC-S 140x140 | 2505 | 1775 | 2370 | 1995 | 1400 | 1400 | 1150 | 1025 | 200 | 400 |
| VPC-D 140x140 | 2505 | 1755 | 3620 | 1955 | 1400 | 1400 | 1150 | 1025 | 200 | 400 |
| VPC-S 190x190 | 3005 | 2275 | 2795 | 2495 | 1900 | 1900 | 1400 | 1275 | 250 | 500 |
| VPC-D 190x190 | 3005 | 2275 | 4245 | 2495 | 1900 | 1900 | 1400 | 1275 | 250 | 500 |
| VPC-S 225x243 | 3455 | 2785 | 2890 | 2835 | 2250 | 2250 | 1400 | 1525 | 300 | 600 |
| VPC-D 225x243 | 3455 | 2785 | 4650 | 2835 | 2250 | 2250 | 1400 | 1525 | 300 | 600 |

### Technische data

| Model         | Compatibiliteit   | Gewicht (kg) | Koelcapaciteit (m³) |
|---------------|-------------------|--------------|---------------------|
| VPC-S 140x140 | VPP 420           | 1110         | 2,25                |
| VPC-D 140x140 | VPP 420           | 1970         | 4,5                 |
| VPC-S 190x190 | VPP 660 / VPP 520 | 1580         | 5                   |
| VPC-D 190x190 | VPP 660 / VPP 520 | 2760         | 10                  |
| VPC-S 225x243 | VPP 800 / VPP 660 | 1955         | 7,5                 |
| VPC-D 225x243 | VPP 800 / VPP 660 | 3450         | 15                  |